



Drenched[®]

ENQUIRIES

info@drenched.ltd.uk
www.drenched.ltd.uk
+44 (0)1302 791 860

Unit 2
Buccaneer Drive
Doncaster Int'l Business Park
Doncaster
DN9 3QR
United Kingdom

TECHNICAL DATA SHEET

Drenched Volumising Shower

PRODUCT CODE
DVS01.3000

The Drenched Volumiser Shower marks the dawn of a revolutionary new era in shower technology.

The market-leading patented technology integrated into every Drenched Volumiser Shower creates a powerful, yet incredibly delicate, volumised mist that vastly increases the surface area of the water that comes into contact with your body resulting in a far more comfortable shower experience that literally 'Drenches' you and leaves your skin intensely rejuvenated and incredibly soft to the touch.

The Drenched Volumiser Shower is like having a personal spa in your own bathroom and, with huge reductions in the volume of water and energy used - saving you an incredible 70% + of water when compared to other showers - the Drenched Volumiser Shower is a true world leader in helping you to save both energy & money.

The fabulously sleek, minimal & contemporary design of the shower housing is complemented by a high chrome finish and features a quad spray pattern with wipe clean nozzles for the ultimate showering experience.

Experience the stunning Drenched Volumiser Shower for yourself today.

Welcome to the future!

FEATURES

- Water saving Drenched patented volumiser technology
- Twist action head with 4 settings: hydro, drenched, massage & relax flo
- No tools needed
- Wipe clean rubber nodules
- Retrofittable, simple, easy installation

BENEFITS

- Eco shower that feels like a high flow shower
- Saves 70% water compared to a standard shower (based upon a 3 bar mains flow rate of 10 ltr/min)
- Save heating energy through saving water
- Skin feels clean, refreshed and softer

KEY FACTS

Pressure range
1 bar - 6bar

Product stability
5°C-55°C

Volumised flow rate @ 3 bar
3 ltr +- 0.05 l/min

Operating medium
Drinking water

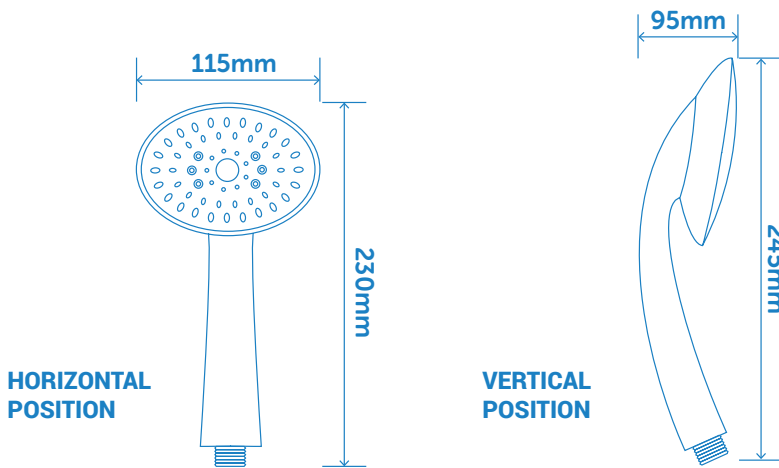
Fitting size
Compatible with std
1/2" BSP shower hoses

Colour
Chrome

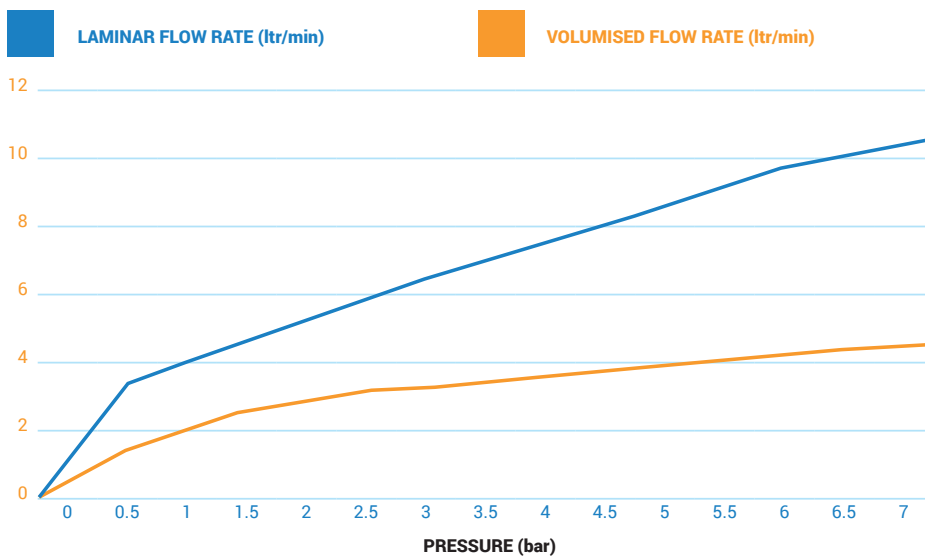
Material
POM

— SAVES 70% WATER • SAVES MONEY • SAVES ENERGY —

DIMENSIONS



FLOW RATE



EASY INSTALLATION TO FIT COMMON HOSE:

1. Remove current hand shower from existing hose.
2. Check condition of hose washers. Replace washer as needed with one supplied.
3. Attach your new Drenched hand shower to hose by turning the hose onto the threaded connection at the base of hand shower.
4. Turn on the water and check for leaks. If leaks are visible at hose connection, tighten connection and retest.

CARE & CLEANING:

To maintain proper working conditions cleaning is required when mineral deposits appear on the spray orifices. To clean mineral deposits, gently rub the rubber nozzles on the face of the shower head to dislodge.

- To clean heavier deposits, remove shower head and soak face down in 1-2 cups of white vinegar (use white

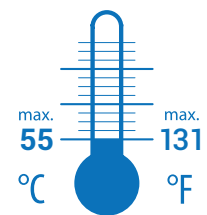
vinegar only) for about 2-3 hours. Replace shower head and run in each mode to flush out vinegar.

- Do not clean or rinse any part with harsh chemicals, heavy duty cleaners, or abrasives; this may damage parts or finish and will void warranty.

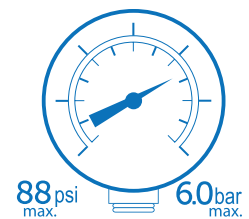
VOLUMISED FLOW



OPERATING CONDITIONS



Continuous



Continuous

WARNING:

1. To avoid hot water dangers and conserve even more energy, make sure your water heater is set at 48°C (118°F) or below.
2. Test the shower water with your hand before bathing.
3. Always ensure the handheld shower head is properly placed in the bracket, to prevent the shower head from falling.
4. Do not pull on or tug the flexible hose. This may result in the shower head coming loose and falling.

PRODUCT CODE

DVS01.3000

— SAVES 70% WATER • SAVES MONEY • SAVES ENERGY —